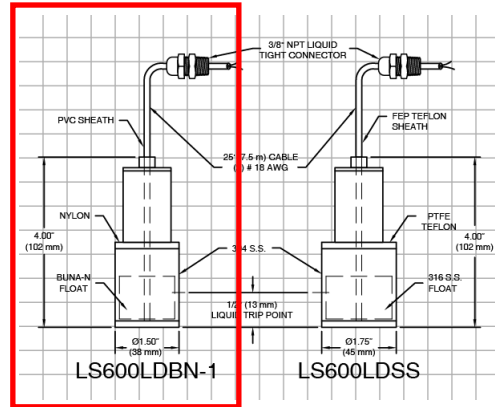


Secondary Containment Leak Sensor



Product Description

The LS600LD float-actuated leak sensor provides secondary containment leak detection for above ground and underground storage tank applications. The sensor assembly may be suspended at the desired point of actuation via the sensor cable and compression fitting, or allowed to rest at the bottom of the containment area being monitored. The compact size and favorable displacement properties of the LS600LD make it ideal for monitoring shallow liquid levels. The LS600LD Leak Switch is available with a Buna-N or stainless steel float for monitoring in most petrochemical and chemical storage tank applications. The LS600LD optionally supports Pneumercator's FAULT-DETECT supervised wiring technology, which automatically detects field wiring faults when connected with a TMS series controller.

Applications

- Containment, Manway and Piping Sumps
- Dispenser Pan
- Turbine Enclosure
- Double-Wall Steel Tank

Specifications

- Technology: Magnetic Float, Hermetically Sealed Reed Switch
- Wetted Materials: Float: Buna-N (BN, SN), 316SS (SS)
Housing: 304SS and Nylon, (304SS and PTFE Teflon for SS)
Stem: Brass, (316SS for SN, SS)
- Cable: 22AWG, 2-Conductor, 25' (7.5 m) Length, PVC-jacketed, (FEP Teflon-jacketed for SS)
- Operating Temperature: -20 °F to 175 °F (-30 °C to 80 °C), -40 °F to 220 °F (-40 °C to 100 °C) for SS
- Pass-thru Opening Size: Minimum 1-1/2" NPT (43 mm), (2" NPT (55 mm) for SS)
- Location Approval*: UL Class I, Div 1, Groups C and D; cUL Class I, Zone 0, Group IIB

Installation

Sensor may be suspended by its cable or placed on the containment or sump floor.

Certifications/Approvals

- UL/cUL Approved*, File #E139464
- Third-Party EPA Listed*

Ordering

- LS600LDBN-1(-F,-FL) Buna-N Float, Brass Shaft, and PVC wiring
- LS600LDSN-1(-F,-FL) Buna-N Float, 316 SS Shaft, and PVC wiring
- LS600LDSS(-F,-FL) 316 SS Float, 316 SS Shaft, and Teflon wiring

(-F) denotes Fault-Detect Option for LC2000/TMS2000/3000

(-FL) denotes Fault Detect Option for TMS1000/TMS2000W/WiDAM

*When used in conjunction with the LC2000/TMS series controllers or TMS2000W series WiDAM Wireless Data Acquisition Module

Note: Specifications subject to change without notice. 04-01-2013



Pneumercator Company, Inc.
1785 Expressway Drive North
Hauppauge, New York 11788

Tel: 631-293-8450
Fax: 631-293-8533
<http://www.pneumercator.com>