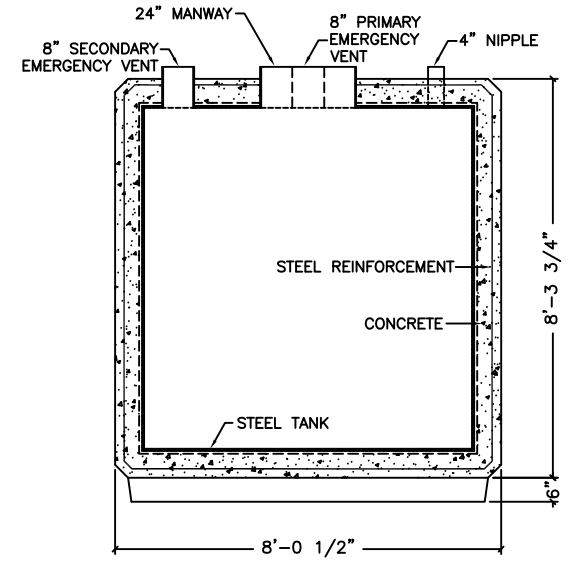
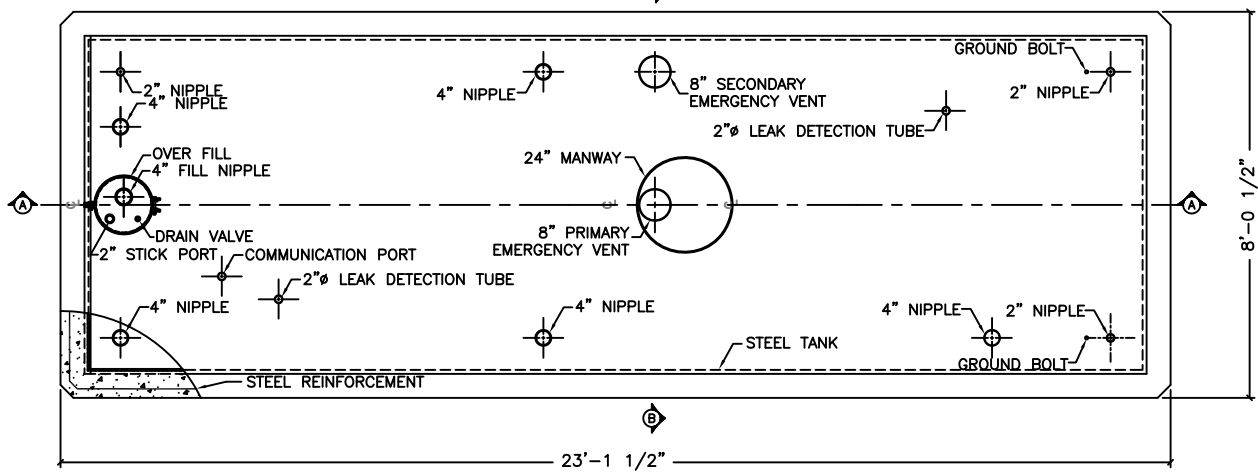


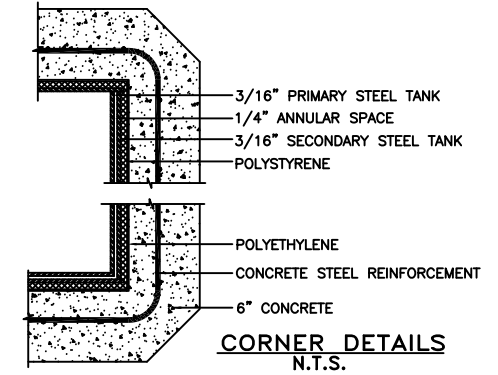
SECTION A-A



SECTION B-B



PLAN VIEW



CORNER DETAILS
N.T.S.

<input type="checkbox"/> 20 YEAR WARRANTY	<input type="checkbox"/> 30 YEAR WARRANTY
<input type="checkbox"/> 7 GALLON U.L. LISTED OVERFILL CONTAINMENT (OPTIONAL)	
STANDARD TOP DESIGN SHOWN, OTHER DESIGNS AVAILABLE.	
TANK MUST BE SET ACCORDING TO CONVAULT INSTRUCTIONS IN ORDER TO ACTIVATE WARRANTY.	
PLANT LOCATION:	WEIGHT: 76,400 LBS
TELFORD, PA.	REVISION DATE: 08-29-13
TANK SIZE: 8000-GALLON	SCALE: 1/4"=1'-0"
	DRAWING NUMBER: 88153048-DW



Core Engineered Solutions, Inc.
 620 Herndon Pkwy, Suite 120
 Herndon, VA 20170
 (703) 563-0320 (703) 563-0330 FAX
 www.core-es.com info@core-es.com