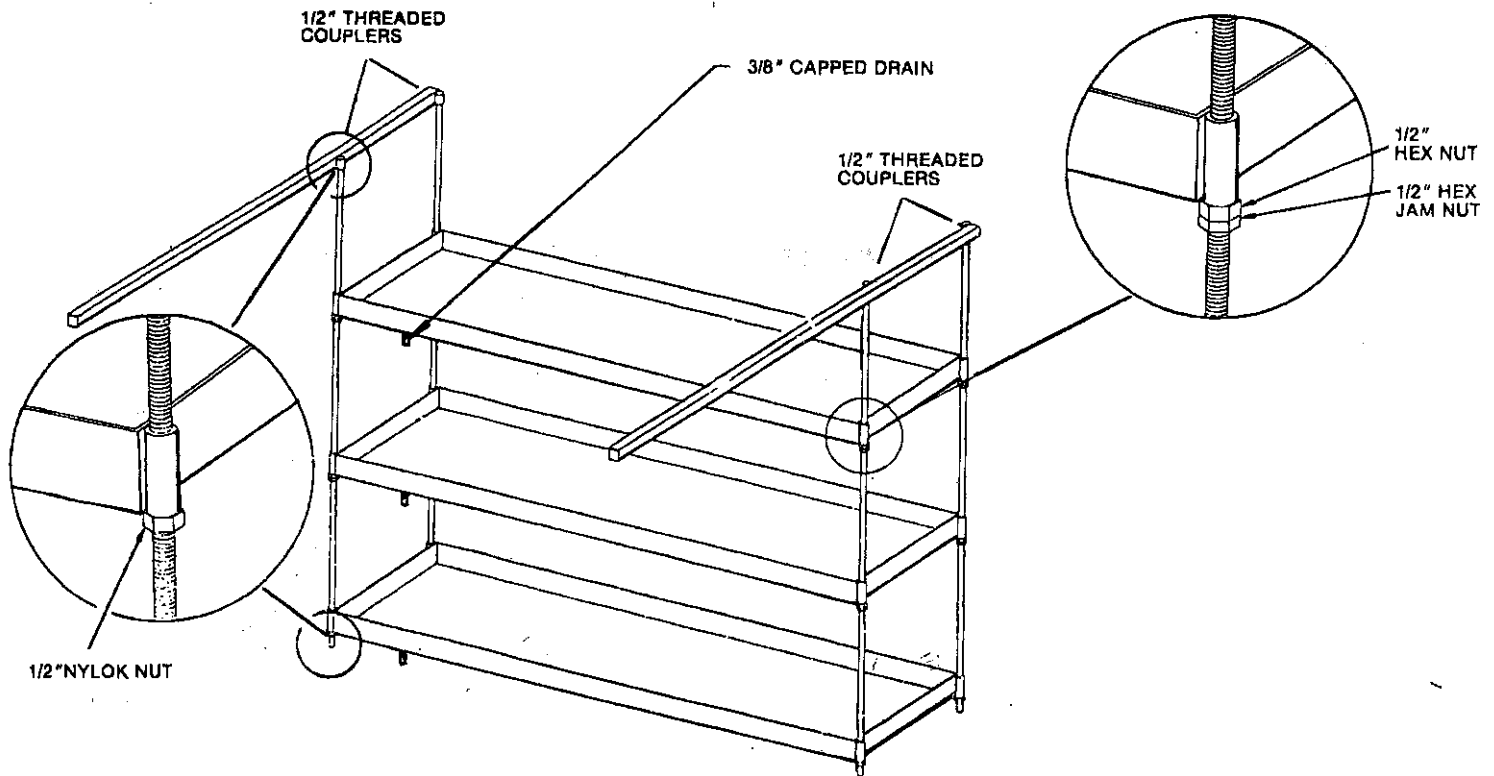


Seismic Secondary Containment Shelving



DESIGNED TO CONTAIN LEAKS FROM STORED ITEMS

STANDARD GENERAL SPECIFICATIONS

L-W-H: 54" x 18" x 2"
Shelf capacity (ea.) 4 – 5 gal containers or
24 – 4 liter bottles or
60 – 1 liter bottles
8 1/2 gallon sump capacity
14 gauge steel construction
Coating system: 5 mils. anti-corrosive epoxy

PARTS

1 piece sump pan. Seamless. No welds on bottom
3/8" capped drain
1/2" hex nuts
1/2" hex jam nuts
1/2" nylok nuts
Allthread rods
(Length determined by No. of shelves and mounting)
1/2" threaded couplers, for welding to support structures.

INSTALLATION

- Weld 1/2" threaded couplers to upper supports.
- Install allthread rods into couplers.
- Secure with 1/2" nylok nuts.
- Install shelves to desired heights and secure with 1/2" hex and jam nuts.
- Secure lower shelf with 1/2" nylok nut.