

GEAR PUMPS

Product Range

Gear pump range includes single pumps of groups AP100, AP212 and AP300. Displacements range from 0.073 in³/rev to 5.673 in³/rev.

Recommended Fluids/Allowed Temperatures

Mineral oil based hydraulic fluids that comply with ISO/DIN standards is recommended.

Suction

The absolute suction pressure must be 11 PSI. It is also advisable to choose a filter of suitable size to minimize any pressure drop and to take measures to prevent gradual clogging over time.

The following items are also available (consult factory)

- Spline Shafts
- Left Hand Rotation (CCW)
- Viton Seal Kits

Viscosity Range	
Recommended	Permitted
100 to 500 SUS	up to 3000 SUS

Operating Temperature	
Seal Type	Temperature
Buna N	5° to 176° F -15° to 80° C
Viton	14° to 248° F -10° to 120° C



AP100

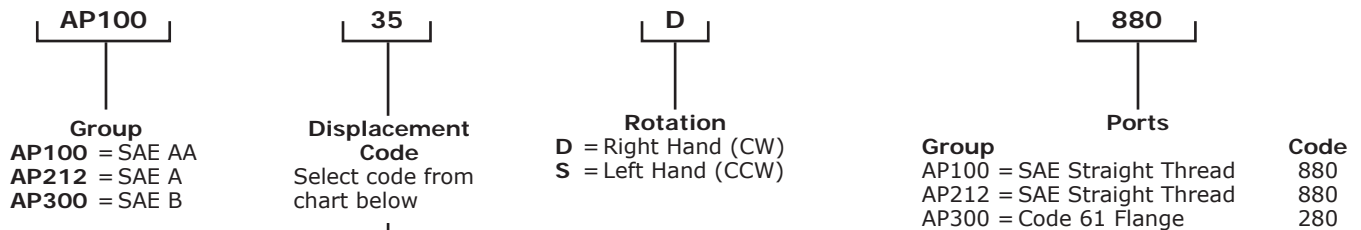


AP212



AP300

How to Order



Gear Pumps								
Group	Code	Displacement in ³ /rev	Group	Code	Displacement in ³ /rev	Group	Code	Displacement in ³ /rev
AP100	12	.073	AP212	45	.269	AP300	27	1.674
	17	.103		65	.391		31	1.891
	25	.152		85	.513		38	2.318
	35	.213		11	.677		45	2.745
	43	.262		15	.921		53	3.233
	5	.305		19	1.172		63	3.843
	65	.396		22	1.355		75	4.575
8	.476	26	1.599					

Dimensions and specifications are subject to change without notice. Not all items are Made-To-Stock, contact us for availability.

01/16

Ph : 920-682-6877
Fx : 920-684-7210



sales@ldi-industries.com
www.ldi-industries.com

GEAR PUMPS

AP100 SERIES

AP100 Gear pumps are widely used in modern hydraulic systems due to their high performance, long service life and low purchase and maintenance costs. The essential components of the AP100 series external gear pumps are an aluminum alloy body and two gearwheels, supported by plain bearings.

Standard Features:

- High overall efficiency thanks to optimized hydraulic compensation
- Design and materials that guarantee excellent technical specifications and long life service
- Recommend using only mineral oil-based hydraulic fluids that comply with the ISO/DIN standards
- Buna N Seal

Suction:

- Absolute suction pressure must be 11 PSI
- It is also advisable to choose a filter of a suitable size to minimize any pressure drop and to take measures to prevent gradual clogging over time

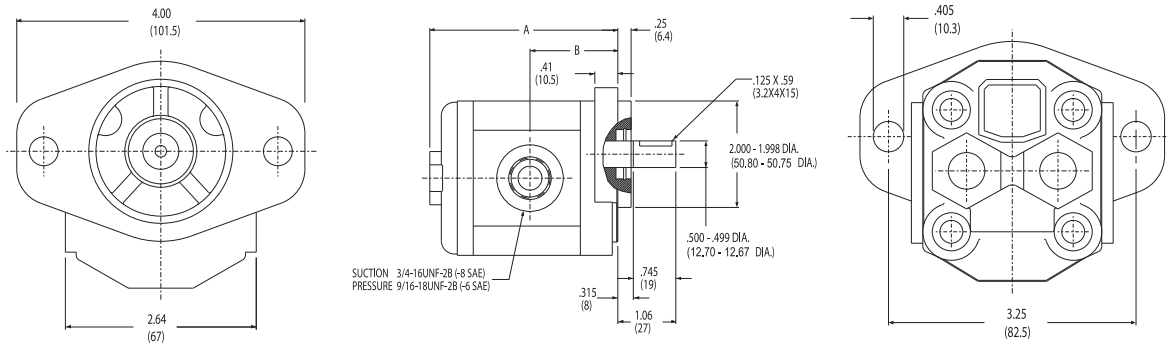
Viscosity Range:

- Recommended 20 + 120 mm²/s (cSt)
- Permitted up to 700 mm²/s (cSt)

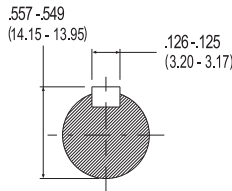
Operating Temperature:

- 5° to 176°F (-15 to 80°C)

CAUTION: • Not to be used with Water Glycol



NOTE: All dimensions are inches (mm)



AP100 Series

Part No.	Displacement in ³ /rev	Flow		Max Pressure			Max Speed RPM	Dimensions			
		@1725 RPM GPM	@3450 RPM GPM	Continuous PSI	Intermittent PSI	Peak PSI		A		B	
								in	mm	in	mm
AP10012D880	.073	.546	1.091	3000	3600	4000	5000	3.29	83.50	1.56	39.50
AP10017D880	.103	.770	1.540	3000	3600	4000	5000	3.37	85.50	1.60	40.50
AP10025D880	.152	1.136	2.272	3000	3600	4000	5000	3.50	89.00	1.65	42.00
AP10035D880	.213	1.592	3.184	3000	3300	3600	4000	3.66	93.00	1.75	44.50
AP10043D880	.262	1.958	3.917	3000	3300	3600	4000	3.82	97.00	1.81	46.00
AP1005D880	.305	2.280	4.560	3000	3300	3600	3500	3.92	99.50	1.87	47.50
AP10065D880	.396	2.957	5.914	2700	3150	3400	3000	4.11	104.50	1.97	50.00
AP1008D880	.476	3.554	7.109	2600	3000	3300	3000	4.33	110.00	2.09	53.00

Dimensions and specifications are subject to change without notice. Not all items are Made-To-Stock, contact us for availability.

02/14

Ph : 920-682-6877
Fx : 920-684-7210



sales@ldi-industries.com
www.ldi-industries.com

GEAR PUMPS

AP212 SERIES

AP212 gear pumps are widely used in modern hydraulic systems due to their high performance, long service life and low purchase and maintenance costs. The AP212 series is able to achieve high operating pressures, excellent volumetric and mechanical efficiency.

Standard Features:

- New generation optimized and standardized balancing blocks
- New gears profile (12 teeth) with increased transmissible torque
- Design and materials that guarantee excellent technical specifications and long life service
- Recommend using only mineral oil-based hydraulic fluids that comply with the ISO/DIN standards
- Buna N Seals

Suction:

- Absolute suction pressure must be 11 PSI
- It is also advisable to choose a filter of a suitable size to minimize any pressure drop and to take measures to prevent gradual clogging over time

Viscosity Range:

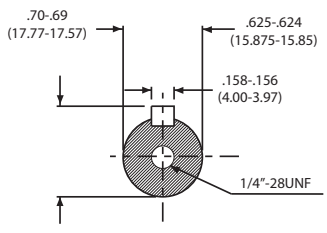
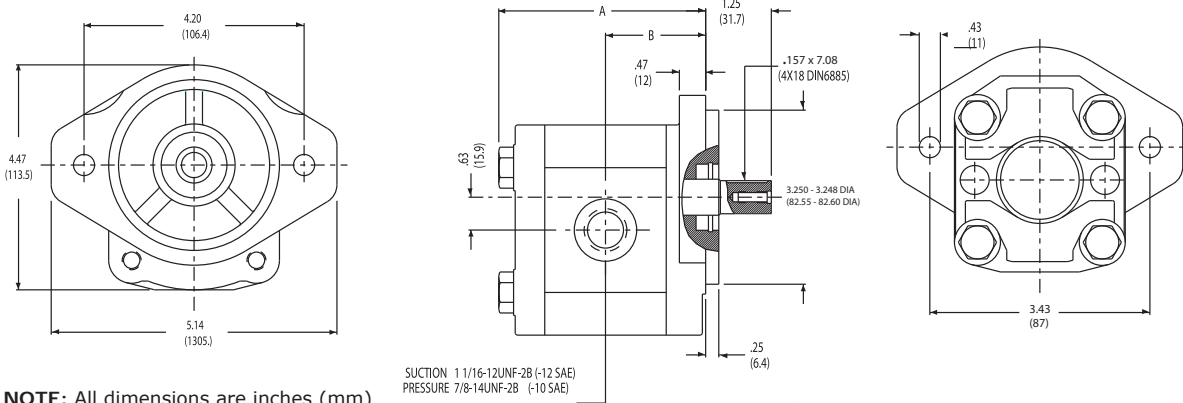
- Recommended 20 + 120 mm²/s (cSt)
- Permitted up to 700 mm²/s (cSt)

Operating Temperature:

- 5° to 176°F (-15 to 80°C)

CAUTION: • Not to be used with Water Glycol

- The coupling joint must be able to absorb any discrepancies in the coaxial alignment of the motor-pump shafts without placing any load on the pump shaft
- Absolutely no radial or axial forces should be transmitted to the drive shaft in the motor-pump coupling
- Such forces cause rapid and irregular wear on the balancing surface of the bushings and gear support, with a consequent worsening in pump performance



Part No.	Displacement in ³ /rev	Flow		Max Pressure			Max Speed rpm	Dimensions			
		@1725 RPM GPM	@3450 RPM GPM	Continuous PSI	Intermittent PSI	Peak PSI		A		B	
		in	mm	in	mm	in		mm	in	mm	
AP21245D880	.269	1.888	3.776	3600	4000	4300	4000	3.48	88.5	1.67	42.5
AP21265D880	.391	2.745	5.489	3600	4000	4300	4000	3.60	91.5	1.73	44.0
AP21285D880	.513	3.601	7.202	3600	4000	4300	4000	3.72	94.5	1.79	45.5
AP21211D880	.677	4.752	9.504	3600	4000	4300	4000	3.88	98.5	1.87	47.5
AP21215D880	.921	6.465	12.930	3600	4000	4300	3500	4.11	104.5	1.99	50.5
AP21219D880	1.172	8.227	16.454	3000	3500	3700	3500	4.35	110.5	2.11	53.5
AP21222D880	1.355	9.511	19.023	2600	3000	3300	3000	4.52	115	2.18	55.5
AP21226D880	1.599	11.224	22.448	2500	2850	3150	3000	4.76	121	2.30	58.5

Dimensions and specifications are subject to change without notice. Not all items are Made-To-Stock, contact us for availability.

01/16

Ph : 920-682-6877
Fx : 920-684-7210



sales@ldi-industries.com
www.ldi-industries.com

GEAR PUMPS

AP300 SERIES

AP300 gear pumps are widely used in modern hydraulic systems due to their high performance, long service life and low purchase and maintenance costs. The essential components of the AP300 series external gear pumps are an aluminum alloy body and two gearwheels, supported by plain bearings.

Standard Features:

- High overall efficiency thanks to optimized hydraulic compensation
- Design and materials that guarantee excellent technical specifications and long life service
- Recommend using only mineral oil-based hydraulic fluids that comply with the ISO/DIN standards
- Buna N Seal

Suction:

- Absolute suction pressure must be 11 PSI
- It is also advisable to choose a filter of a suitable size to minimize any pressure drop and to take measures to prevent gradual clogging over time

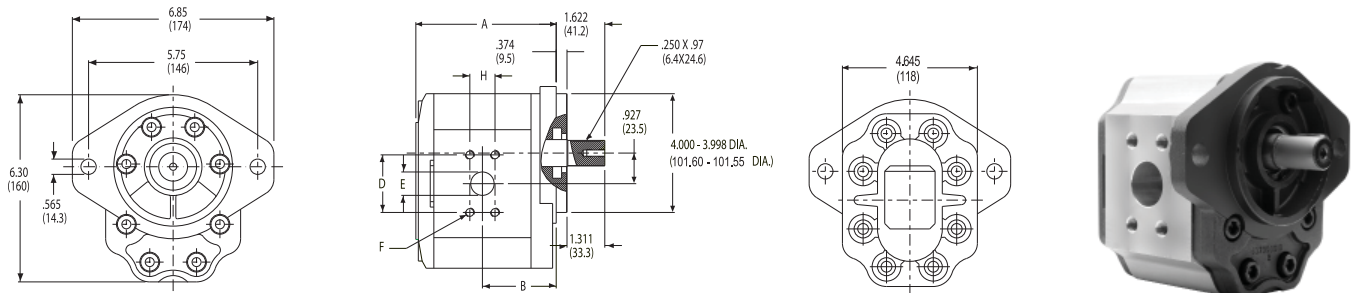
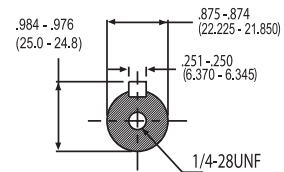
Viscosity Range:

- Recommended 20 + 120 mm²/s (cSt)
- Permitted up to 700 mm²/s (cSt)

Operating Temperature:

- 5° to 176°F (-15 to 80°C)

CAUTION: • Not to be used with Water Glycol



NOTE: All dimensions are inches (mm)

AP300 Series											
Part No.	Displacement in ³ /rev	Flow		Max Pressure			Max Speed rpm	Dimensions			
		@1725 RPM GPM	@3450 RPM GPM	Continuous PSI	Intermittent PSI	Peak PSI		A		B	
								in	mm	in	mm
AP30027D280	1.674	12.511	25.026	3150	3600	4000	3500	4.96	126.00	2.51	64.00
AP30031D280	1.891	14.133	28.270	3150	3600	4000	3500	5.07	129.00	2.56	65.00
AP30038D280	2.318	17.325	34.654	3150	3600	4000	3000	5.25	133.50	2.65	67.50
AP30045D280	2.745	20.516	41.038	2900	3300	3700	3000	5.43	138.50	2.75	70.00
AP30053D280	3.233	24.163	48.333	2900	3300	3700	3000	5.62	143.00	2.85	72.50
AP30063D280	3.843	28.722	57.453	2600	3000	3400	3000	5.90	150.00	2.97	75.50
AP30075D280	4.575	34.193	68.396	2400	2700	3150	2500	6.22	158.00	3.13	79.50
AP30093D280	5.673	42.400	84.811	2100	2400	2900	2500	6.65	169.00	3.36	85.50

AP300 Series Suction and Pressure Information														
Part No.	Dimensions - Suction							Dimensions - Pressure						
	H		D		E		F	H		D		E		F
	in	mm	in	mm	in	mm	UNC-2B	in	mm	in	mm	in	mm	UNC-2B
AP30027D280	1.03	26.20	2.06	52.40	.99	25.00	3/8-16	.88	22.20	1.88	47.60	.75	19.00	3/8-16
AP30031D280	1.19	30.20	2.31	58.70	1.22	31.00	7/16-14	1.03	26.20	2.06	52.40	.99	25.00	3/8-16
AP30038D280	1.19	30.20	2.13	58.70	1.22	31.00	7/16-14	1.03	26.20	2.06	52.40	.99	25.00	3/8-16
AP30045D280	1.19	30.20	2.31	58.70	1.22	31.00	7/16-14	1.03	26.20	2.06	52.40	.99	25.00	3/8-16
AP30053D280	1.40	35.70	2.76	70.00	1.50	38.00	1/2-13	1.19	30.20	2.31	58.70	1.22	31.00	7/16-14
AP30063D280	1.40	35.70	2.76	70.00	1.50	38.00	1/2-13	1.19	30.20	2.31	58.70	1.22	31.00	7/16-14
AP30075D280	1.40	35.70	2.76	70.00	1.50	38.00	1/2-13	1.19	30.20	2.31	58.70	1.22	31.00	7/16-14
AP30093D280	1.40	35.70	2.76	70.00	1.50	38.00	1/2-13	1.19	30.20	2.31	58.70	1.22	31.00	7/16-14

Dimensions and specifications are subject to change without notice. Not all items are Made-To-Stock, contact us for availability.

02/14

Ph : 920-682-6877
Fx : 920-684-7210



sales@ldi-industries.com
www.ldi-industries.com