

Fig. 610 Series Hose Retriever

Installation & Maintenance Instructions

The 610 Series Hose Retriever is designed to suspend the fueling hose above the dispenser eliminating kinks and tangles while keeping the hose up off the drive. The 360 degree smooth rotating retriever head assists the operator in positioning the hose to the fueling point.



Failure to follow any or all of the warnings and instructions in this document could result in a hazardous liquid spill, which could result in property damage, environmental contamination, fire, explosion, serious injury or death.

Installation



Warnings

- Any modification to this unit other than those stated in these installation instructions will void the product warranty.
- Install in accordance with all applicable local, state, and federal laws.
- For your safety, it is important to follow local, state, federal and/or OSHA rules that apply to working inside, above, or around the storage tank and piping area. Use all personal protective equipment required for working in the specific environment.

Steps for Mounting Unit on Top of Concrete Using Unhinged Base (see Fig. 1)

1. Remove unit from box and remove all packaging material. Check unit for any shipping damage. Do NOT use if any damage is found.
2. If, for any reason you need to remove cable clamps, see important note on page 3 before reattaching clamps.
3. Determine how high above grade you would like the retriever to be mounted, and purchase a piece of 2" Schedule 80 pipe at that length. (Maximum 10.5' when using supplied base. This can be extended if pipe is braced along its vertical travel)
4. If mounting the unit onto the base, and anchoring it to the top of the concrete, place the base on the concrete where you wish to install the unit, and mark the location for the anchor holes. Select concrete anchors and anchor bolts that are sufficient to support the unit.
5. Drill the anchor holes into the concrete and install the anchors into the holes. **DO NOT** attach the base at this time.
6. Thread both ends of your pipe with 2" NPT threads.
7. With the pipe lying on the ground, slide the weight into the pipe and thread the hose retriever head onto the pipe. Make certain to wrench tighten 3.25 turns after hand tight.
8. Thread the base onto the opposite end of the pipe. Make certain to wrench tighten 3.25 turns after hand tight.
9. Move the pipe assembly so that the base end is close to the desired location where the anchors are located in the concrete.
10. **SLOWLY** raise the pipe until the base is resting on the concrete with the base holes directly over the anchors in the concrete. **BE CAREFUL** raising the pipe because the weight will slide down the pipe as you raise it.
11. Once pipe is vertical, and the holes in the base are positioned over the anchors, install and tighten your anchor bolts into the anchors.
12. Make certain unit is stable.

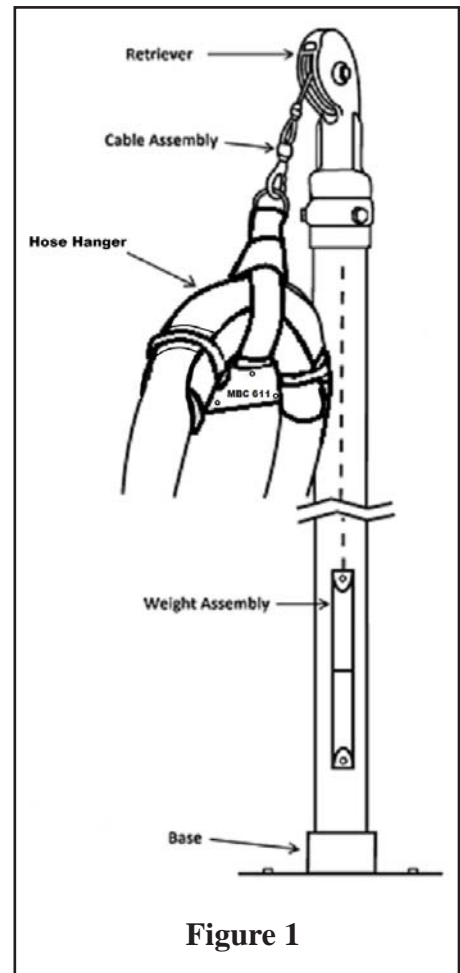
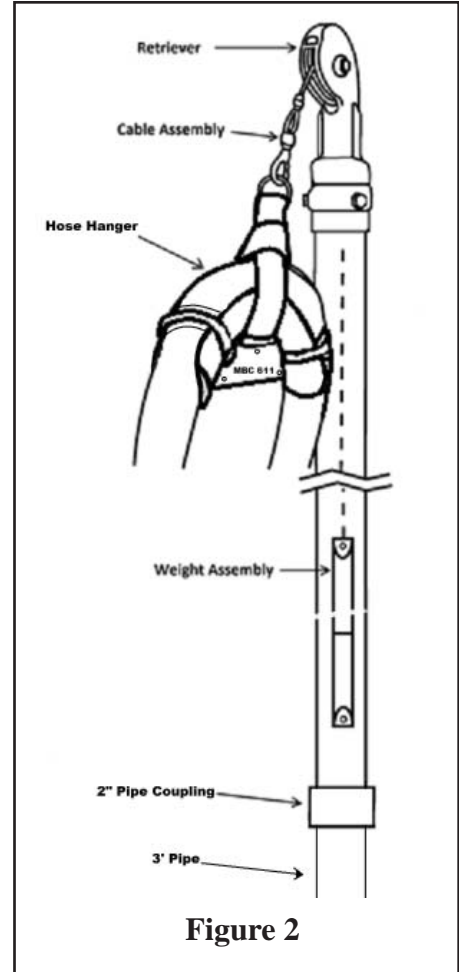


Figure 1

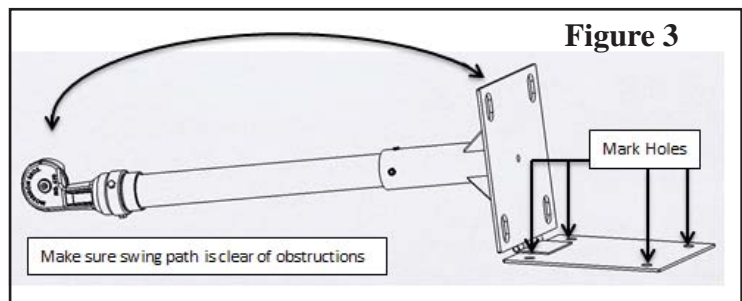
Steps for Mounting Unit into the Ground (see Fig. 2)

1. Remove unit from box and remove all packaging material. Check unit for any shipping damage. Do NOT use if any damage is found.
2. If, for any reason you need to remove cable clamps, see important note on page 3 before reattaching clamps.
3. Determine how high, above grade, you would like the retriever to be mounted, and purchase a piece of 2" Schedule 80 pipe at that length PLUS 18".
4. Determine the desired location for the unit and dig a hole, about 18" deep by 12" in diameter.
5. Cut one three foot (3') section off of your pipe and thread it with 2" NPT threads on one end.
6. Take the remaining length of pipe and thread both ends with 2" NPT Threads.
7. Place the 3' section of pipe into the hole (threaded end up) and cement in place making certain the pipe is secure and vertical.
8. Once the cement has fully cured you can complete the installation.
9. Thread 2" NPT pipe coupling onto the pipe sticking up out of the ground. Make certain to wrench tighten 3.25 turns after hand tight.
10. With the remaining pipe lying on the ground, slide the weight into the pipe and thread the retriever head onto the pipe. Make certain to wrench tighten 3.25 turns after hand tight.
11. SLOWLY raise the pipe until the weight begins to protrude from the end of the pipe opposite the retriever head. BE CAREFUL raising the pipe because the weight will slide down the pipe as you raise it.
12. Have one person hold the pipe with the retriever head on it while a second person lowers the weight into the piece of pipe cemented into the ground.
13. Thread the pipe, with the retriever head on it, into the 2" pipe coupling. Make certain to wrench tighten 3.25 turns after hand tight.
14. Make certain unit is stable.

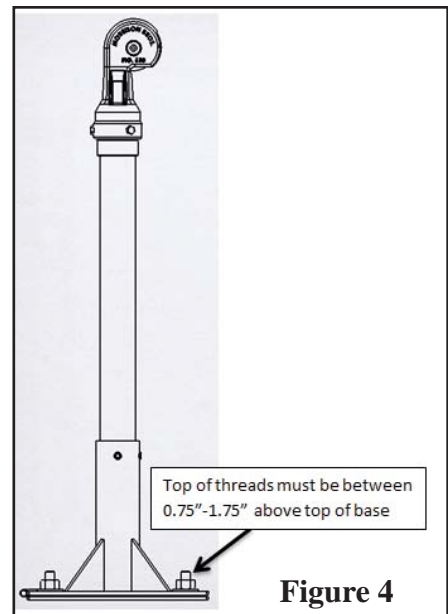


Steps for Mounting Unit on Top of Concrete Using Hinged Base (See Fig. 3 and 4)

1. Remove unit from box and remove all packaging material. Check unit for any shipping damage. Do NOT use if any damage is found.
2. If, for any reason you need to remove cable clamps, see important note on page 3 before reattaching clamps.
3. Determine how high above grade you would like the retriever to be mounted and purchase a piece of 2" Schedule 80 pipe at that length. Thread one end of the pipe with 2" NPT threads.
4. Purchase 5/8"-11 UNC anchor bolts with a thread length between 2" and 3". You may need to purchase large diameter fender washers if the size of the washers supplied with the anchor bolts is too small. The Outer Diameter of the washers must be 1.5" or larger to properly secure the base.
5. Place the large base on the concrete where you wish to install the unit, and mark the location for the anchor holes (make sure the hinge is in the proper orientation for your set up, and that there is enough clearance for the assembly to be hinged down for inspection/maintenance).
6. Drill the anchor holes into the concrete and install the anchors into the holes. The base can be installed at this time.



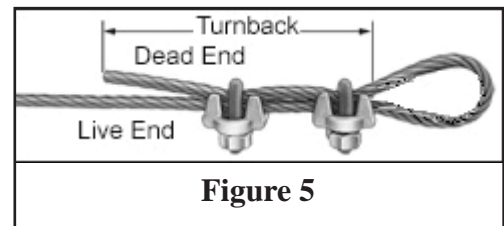
7. Secure the bottom plate of the base to the concrete with the 4 jam nuts provided while the base is in the open position (see Fig. 3). Place a spacer (4 provided) around each of the 4 jam nuts.
8. With the base in the closed position, insert the unthreaded end of the pipe in the tube portion of the base. Make sure the pipe goes all the way down to the bottom of the tube before tightening the set screws and locking it in place.
9. SLOWLY return the base to the open position, GENTLY lowering the pipe onto the ground or a flat platform. Be CAREFUL not to damage the threads when resting the pipe on the ground.
10. Insert the weight(s) into the threaded end of the pipe and SLOWLY lower them to the bottom.
11. Once the weight(s) are in the correct position, thread the retriever head onto the pipe. Make sure to wrench tighten 3.25 turns after hand tight.
12. CAREFULLY raise the pipe until the base is in the closed position. Once pipe is vertical, make sure base has fully closed and top plate is resting on the 4 spacers provided.
13. Finally, tighten down the nuts and washers of the anchor bolts to lock unit in the upright position (see Fig. 4).
14. Make certain unit is stable.



Customizing Cable Length (see Fig. 5)

You can customize the length of your retriever cable by cutting the cable on the end that attaches to the hose hanger.

1. Determine the desired cable length.
2. Remove the two cable clamps and cut the cable to the desired length.
3. Wrap tape around the cut end to avoid contact with sharp frayed wires.
4. Reattach the cable using the two cable clamps. See Fig. 5.



Important: Never use fewer than two cable clamps to secure the cable. Make sure clamps are securely tightened to cable in the proper orientation (see Fig. 5).

Customizing Counterweight

You can customize the counterweight by cutting the weights to reduce the weight or by adding more weights to increase the weight. Ideally the counterweight should allow the hose to be pulled without excessive force required and retrieve the hose completely when released. Additional weights should be purchased from Morrison Bros. Co. These additional weights will come with a length of cable and cable clamps to attach them to the bottom of the original weights. **Important:** Never use fewer than two cable clamps to secure the cable.



Failure to follow any or all of the warnings and instructions in this document could result in a hazardous liquid spill, which could result in property damage, environmental contamination, fire, explosion, serious injury or death.

Maintenance

This unit should be inspected at least once per year.



WARNINGS

- For your safety, it is important to follow local, state, federal and/or OSHA rules that apply to working inside, above, or around the storage tank and piping area. Use all personal protective equipment required for working in the specific environment.

Steps

1. Pull on the hose to expose the cable. While the cable is exposed inspect it for wear or damage. If excessive cable wear or cable damage is found, replace the cable.
2. Inspect the retriever head for signs of wear or damage. If excessive wear or damage is found, replace the head.
3. Inspect the Hose Hanger and hanger strap for signs of wear or damage. If excessive wear or damage is found, replace the damaged component.
4. Check for signs that the stability of the unit may have been compromised such as impact, deteriorating concrete at the base, weakened bracing, etc. If any of these signs are present, they should be repaired or the components replaced.
5. If using anchor bolts, check for signs that the stability of the base has been compromised such as, deteriorating concrete around the anchor bolts, loose fasteners, rusted components, etc. If any of these signs are present, they should be repaired or the components replaced.
6. If painting the retriever head, use caution to insure that the paint does not get into an area that could restrict the swivel motion of the retriever head or the spinning of the pulley.



Failure to follow any or all of the warnings and instructions in this document could result in a hazardous liquid spill, which could result in property damage, environmental contamination, fire, explosion, serious injury or death.