

General Notes:

NOTES

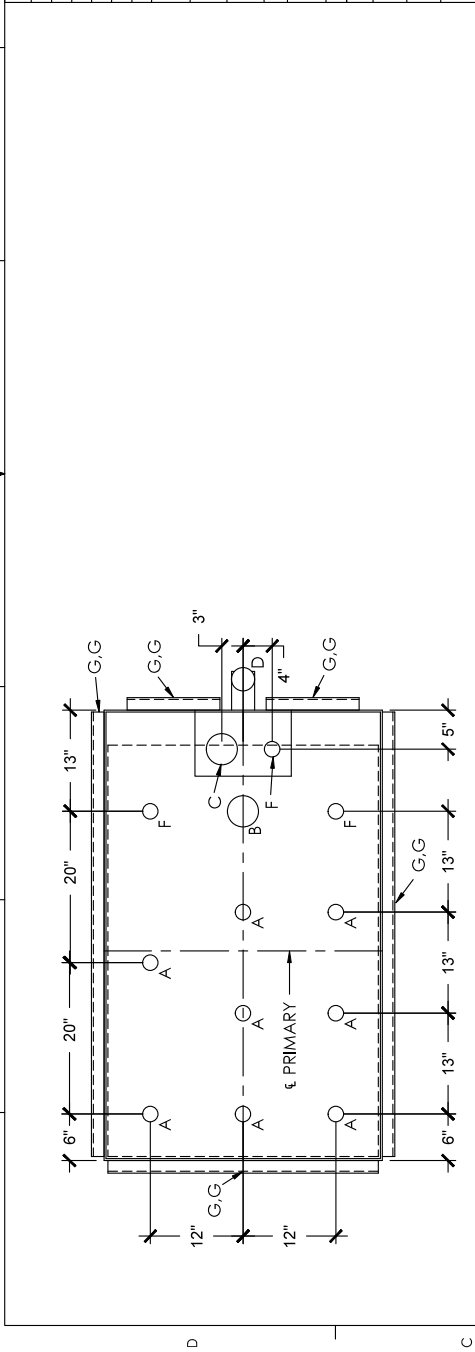
DESIGN DATA

CAPACITY — 300 GALLONS w/ 110% CONTAINMENT
TYPE — DOUBLE WALL — TYPE I
NO. REQ. — ONE
OPERATING PRESSURE — ATMOSPHERIC
SPECIFIC GRAVITY = 1.0
TANK MATERIAL — MILD CARBON STEEL
THICKNESS — INNER— 10 GAUGE
THICKNESS — OUTER— 10 GAUGE
CONSTRUCTION — INNER — LAP WELD OUTSIDE ONLY
OUTER — LAP WELD OUTSIDE ONLY
TANK TEST — INNER — 2 PSIG
OUTER — 2 PSIG AND FULL VACUUM
INT. FINISH — NONE
EXT. FINISH — SP6 BLAST, EPOXY PRIMER & WHITE URETHANE FINISH
LABEL — UL 142

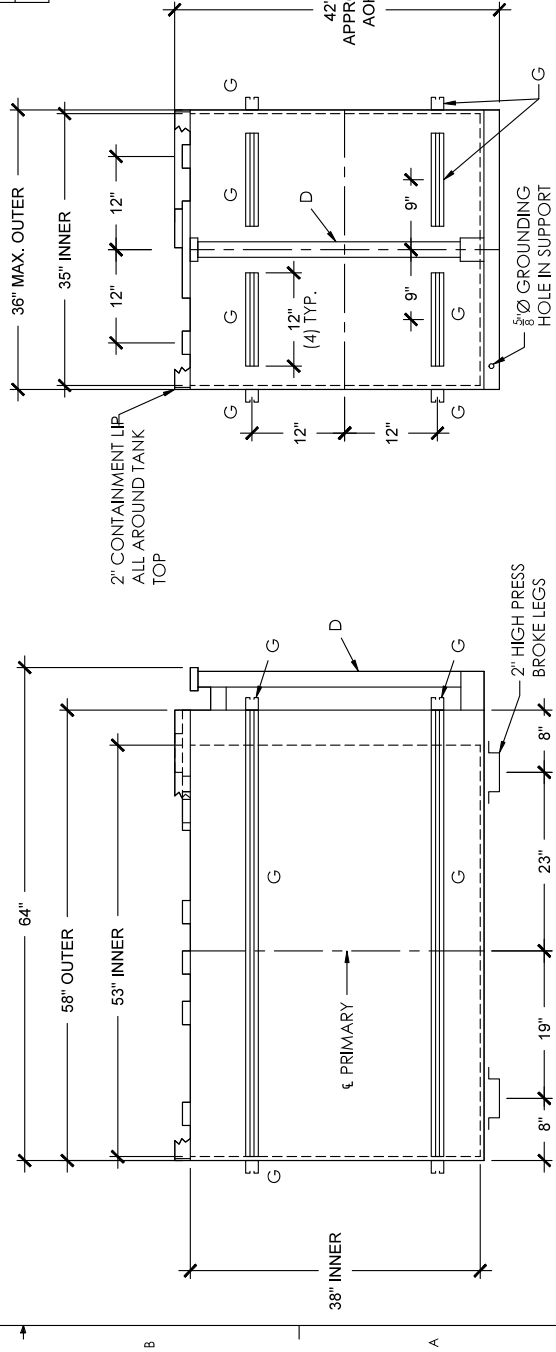
LEGEND

A	2" FNPT FITTING
B	4" FNPT FITTING
C	4" FITTING IN INTERSTICE EXTENSION BOX MARK WITH SPECIAL LABEL — INTERSTITIAL EMERGENCY VENT USE ONLY
D	2" INTERSTITIAL MONITOR PIPE
E	NOT USED
F	SPARE
G	5/8" KINDORF CHANNEL x 46"

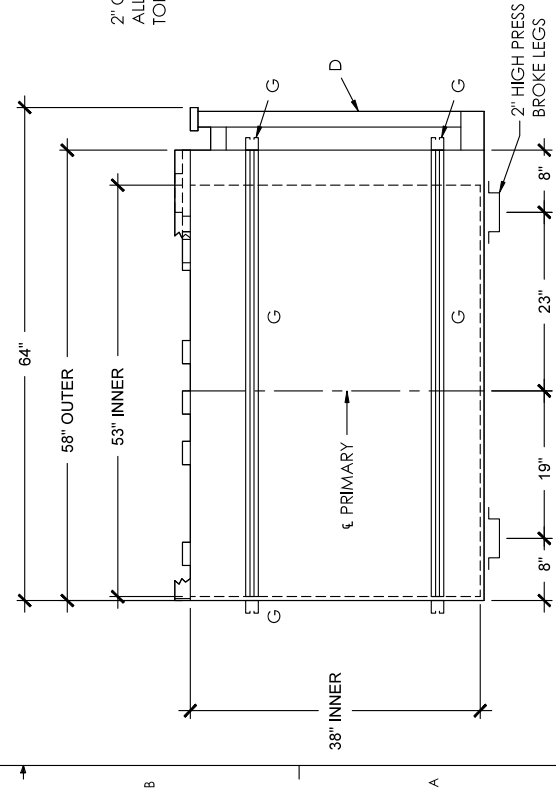
1 2 3 4 5 6 7 8



PLAN VIEW



SIDE VIEW



ELEVATION VIEW

Core O
engineered solutions
safety. compliance. reliability.

Location & Contact
 Washington DC (headquarters):
 620 Herndon Parkway Suite 120
 Herndon VA 20170
 Phone: 800.628.5502

New York
 1141 River Road
 Selkirk, NY 12158
 Phone: 518.635.4343

Project Name and Address:
 P15-0316 CORE 8108 FOC MICHIGAN
 STATE POLICE
 EMERGENCY OPERATIONS CENTER

FOR YOUR PROTECTION, THE COMPANY HAS TAKEN THE NECESSARY PRECAUTIONS TO PROTECT THE INFORMATION CONTAINED HEREIN FROM UNAUTHORIZED DISCLOSURE. THE INFORMATION CONTAINED HEREIN IS UNCLASSIFIED EXCEPT WHERE SHOWN OTHERWISE. THIS DOCUMENT IS UNCLASSIFIED EXCEPT WHERE SHOWN OTHERWISE.

Safesite
 Fuel Management Controls

Core O
engineered solutions
safety. compliance. reliability.

Core Engineered Solutions
 www.core-es.com
 800.628.5502

Date: 02/25/15	Sheet #
Rev: 003	M01
Scale: n/a	
Drawing: P15-0316s8108	

DATE PLOTTED: 2/25/2015 1:53:45 PM
 PLOTTER: HP DesignJet T1100PS
 PLOT FILE: P15-0316s8108.dwg

General Notes:

NOTES



Location & Contact
Washington DC (headquarters):
620 Herndon Parkway Suite 120
Herndon VA 20170
Phone: 800.638.5502

New York
1141 River Road
Selkirk, NY 12158
Phone: 518.635.4343

Project Name and Address:
P15-0316 CORE 8108 FOC MICHIGAN
STATE POLICE
EMERGENCY OPERATIONS CENTER

FOR YOUR PROTECTION, THE SAFETY OF YOUR PERSONNEL AND THE PROTECTION OF THE ENVIRONMENT, ALL EQUIPMENT MUST BE OPERATED IN ACCORDANCE WITH THE OPERATING INSTRUCTIONS PROVIDED WITH EACH UNIT. FAILURE TO FOLLOW THESE INSTRUCTIONS MAY VOID THE WARRANTY AND COULD BE CAUSAL FOR DAMAGE TO YOUR EQUIPMENT. CORE O IS NOT RESPONSIBLE FOR ANY DAMAGE TO YOUR EQUIPMENT OR PERSONNEL THAT MAY OCCUR AS A RESULT OF THE USE OF THIS EQUIPMENT.



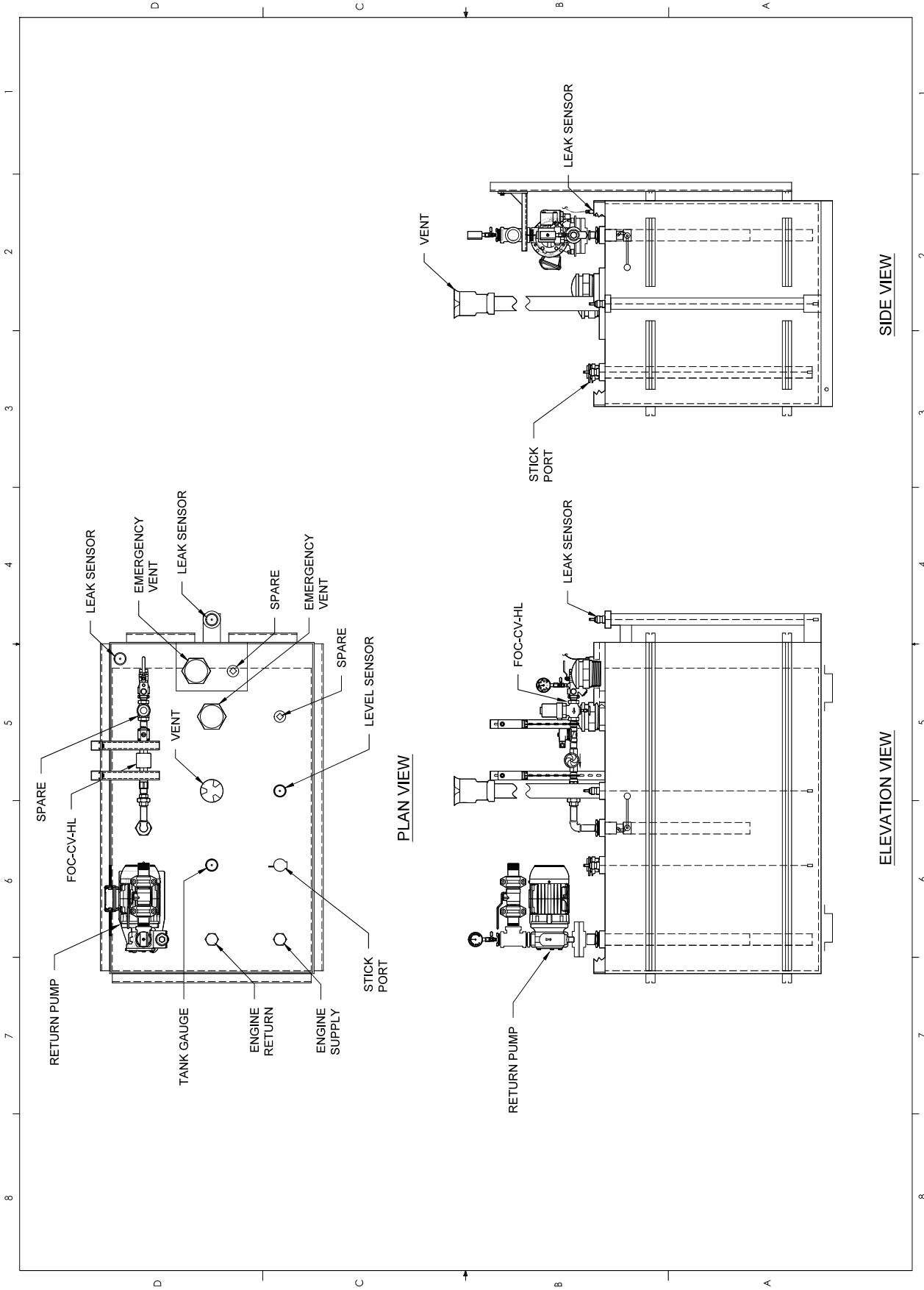
Date: 02/25/15

Rev: 003

Scale: n/a

Drawing: P15-0316s-8108

Sheet #
M02



General Notes:

NOTES

ALL PIPE AND VALVES TO BE 3/4".
VALVES ARE BRONZE AND NIPPLES ARE STAINLESS STEEL 304



Location & Contact
Washington DC (headquarters):
620 Herndon Parkway Suite 120
Herndon VA 20170
Phone: 800.638.5502

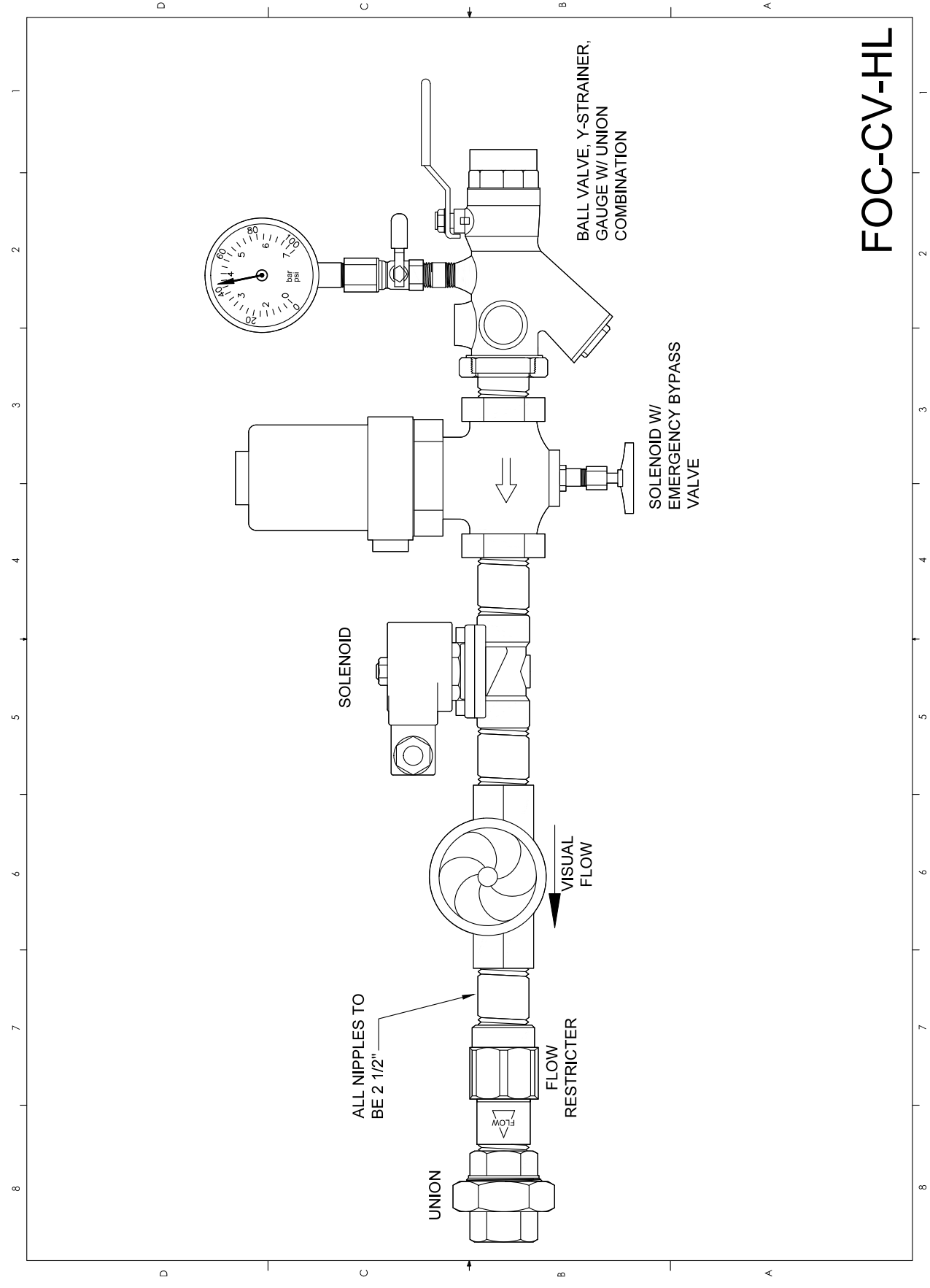
New York
1141 River Road
Selkirk, NY 12158
Phone: 518.635.4343

Project Name and Address:
P15-0316 CORE 8108 FOC MICHIGAN
STATE POLICE
EMERGENCY OPERATIONS CENTER

FOR THE RECORD, THE COMPANY HAS REVIEWED THE PROJECT AND HAS FOUND IT TO BE IN ACCORDANCE WITH THE REQUIREMENTS OF THE MICHIGAN FIRE ALARM AND SIGNAL ACT AND THE MICHIGAN FIRE ALARM AND SIGNAL BOARD REGULATIONS. THE COMPANY HAS REVIEWED THE PROJECT AND HAS FOUND IT TO BE IN ACCORDANCE WITH THE REQUIREMENTS OF THE MICHIGAN FIRE ALARM AND SIGNAL ACT AND THE MICHIGAN FIRE ALARM AND SIGNAL BOARD REGULATIONS. THE COMPANY HAS REVIEWED THE PROJECT AND HAS FOUND IT TO BE IN ACCORDANCE WITH THE REQUIREMENTS OF THE MICHIGAN FIRE ALARM AND SIGNAL ACT AND THE MICHIGAN FIRE ALARM AND SIGNAL BOARD REGULATIONS.



Date: 02/25/15	Sheet #
Rev: 003	D01
Scale: n/a	
Drawing: P15-0316-8108	



FOC-CV-HL

General Notes:
NOTES



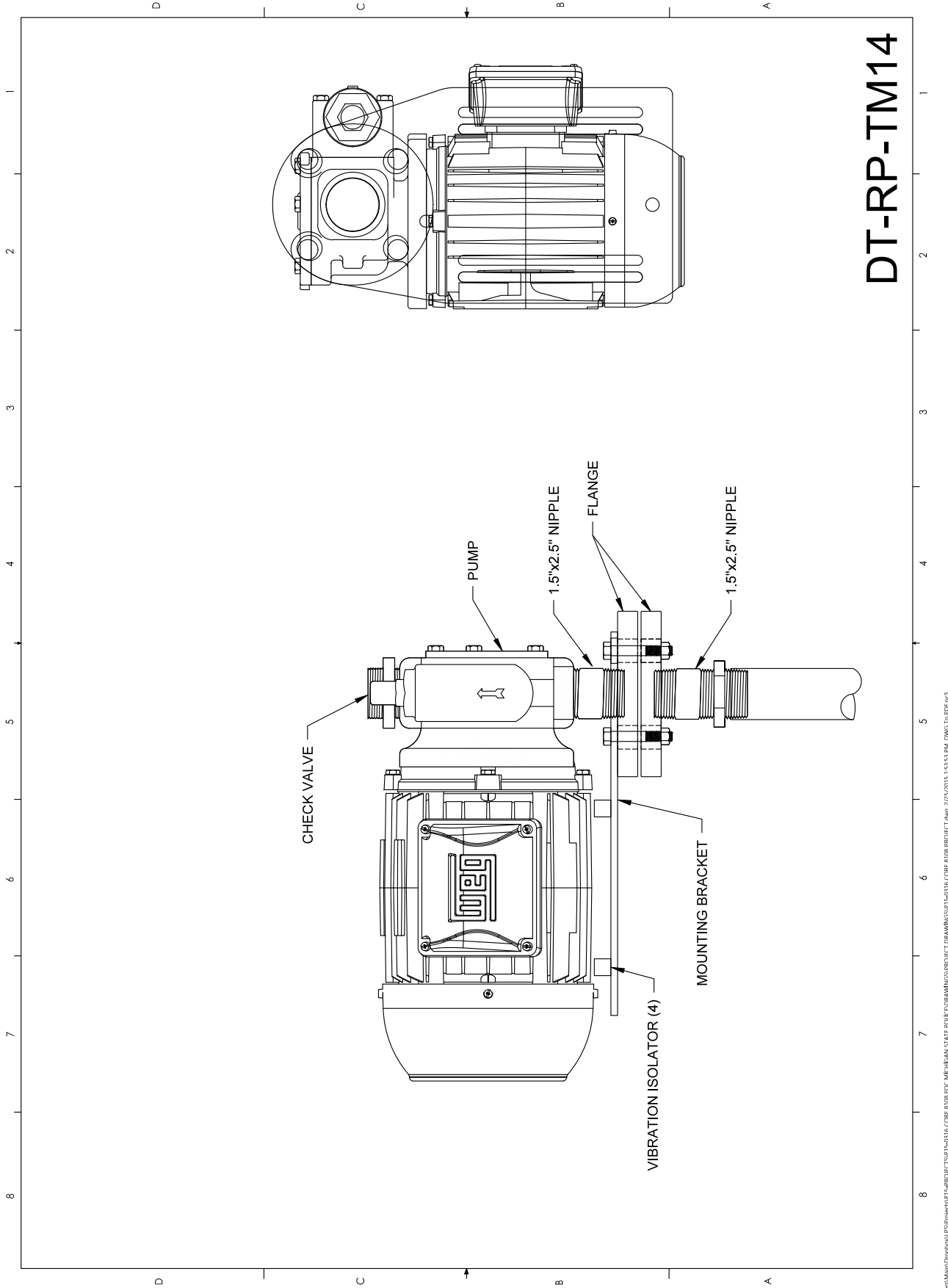
Location & Contact
Washington DC (headquarters):
620 Herndon Parkway Suite 120
Herndon VA 20170
Phone: 800.638.5502

New York
1141 River Road
Selkirk, NY 12158
Phone: 518.635.4343

Project Name and Address:
P15-0316 CORE 8108 FOC MICHIGAN
STATE POLICE
EMERGENCY OPERATIONS CENTER



Date: 02/25/15	Sheet #
Rev: 003	D02
Scale: n/a	
Drawing: P15-0316s8108	



DT-RP-TM14